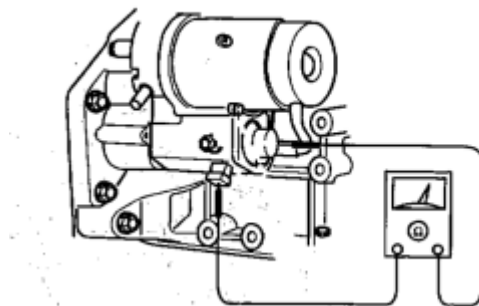


Hyundai Terracan Electrical Troubleshooting Pdf Manual ETM This manual Hyundai Terracan Electrical Troubleshooting Pdf Manual ETM is fit for people who are interested in the technical information of this brand. It can be downloaded and install immediately without obstacles in download.



All technical details taken directly from the supplier can be discovered in this hands-on Hyundai Terracan Electrical Troubleshooting Pdf Manual ETM. In these articles are discovered full information



on the brand you want. This manual is committed to both maintenance and repairs carried out for any sort of Hyundai Terracan Electrical Troubleshooting Pdf Manual ETM a group of knowledgeable mechanics supplying their expertise in order to aid you. Hyundai Terracan, 2001, 2002, Electrical, Troubleshooting, Pdf Manual ETM

Hyundai Terracan Electrical Troubleshooting Pdf Manual ETM

The need to provide quality details in wich are included different tools, diagrams, affected us to write this auto service guidebook. The principle of this handbook has been developed taking into account the determination of clients to receive complete details service that could give a wide range of quality options, high technological abilities owning information for diagnostics, repair and also maintenance of automobiles.