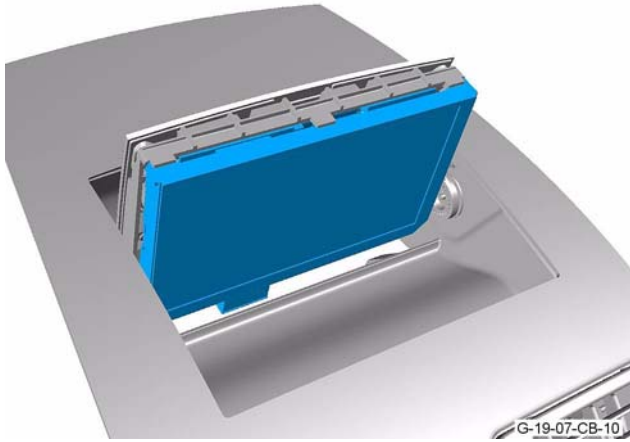
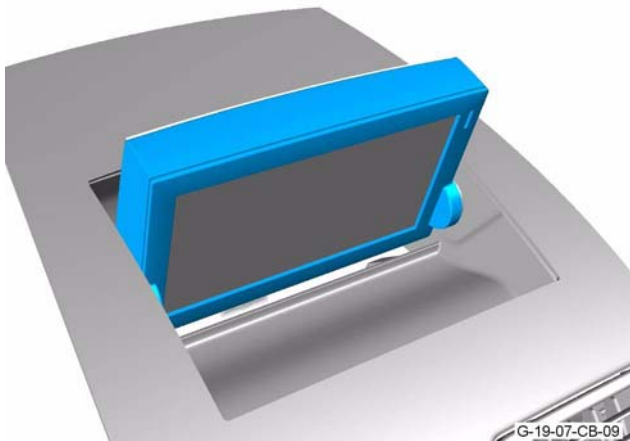


Install

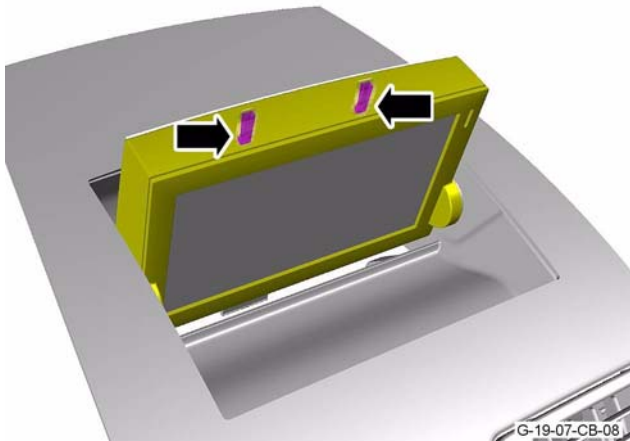
1. Install the navigation display screen.



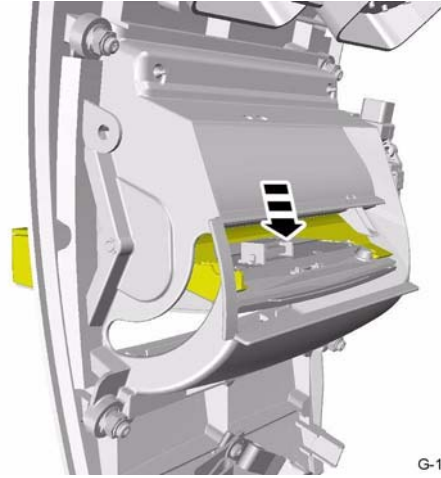
2. Put the holder for the navigation display screen into position.



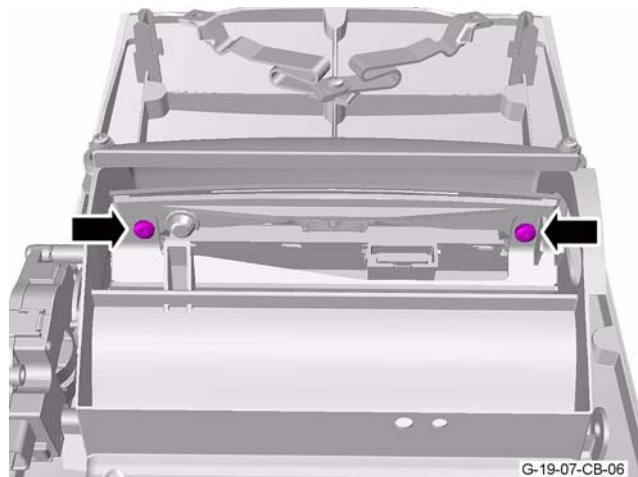
3. Install the holder for the navigation display screen to the two clips that attach it to the mechanism for the navigation display screen.



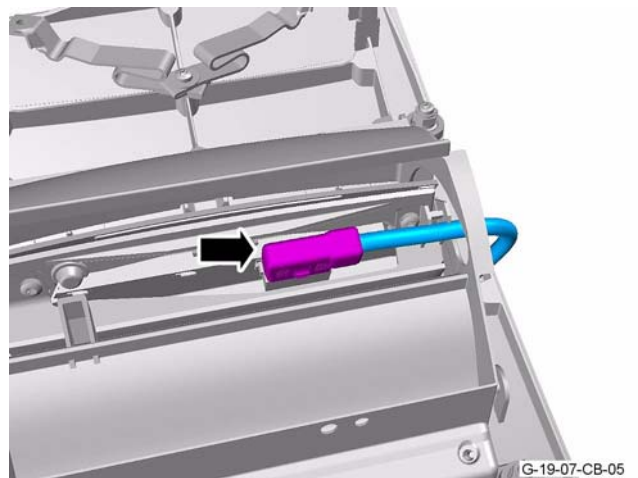
4. Install the holder for the navigation display screen to the mechanism for the navigation display screen.



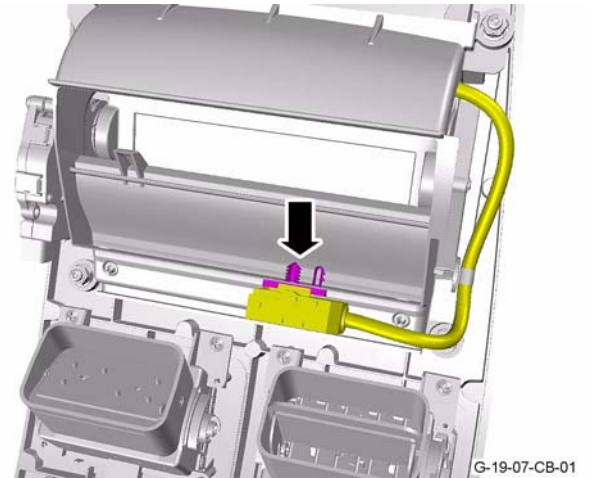
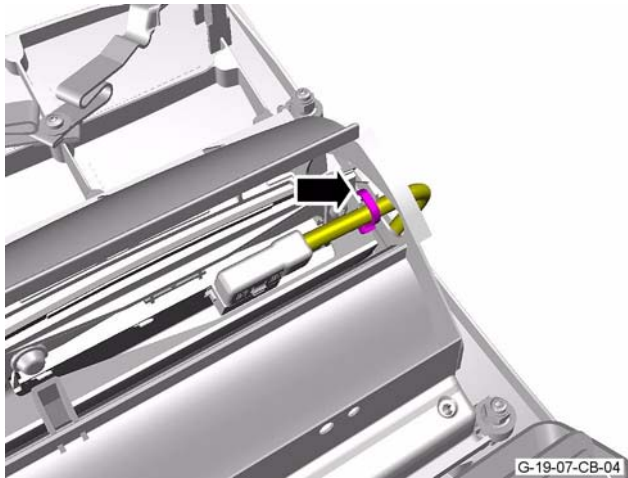
5. Install and tighten the two screws that attach the holder for the navigation display screen to the mechanism for the navigation display screen.



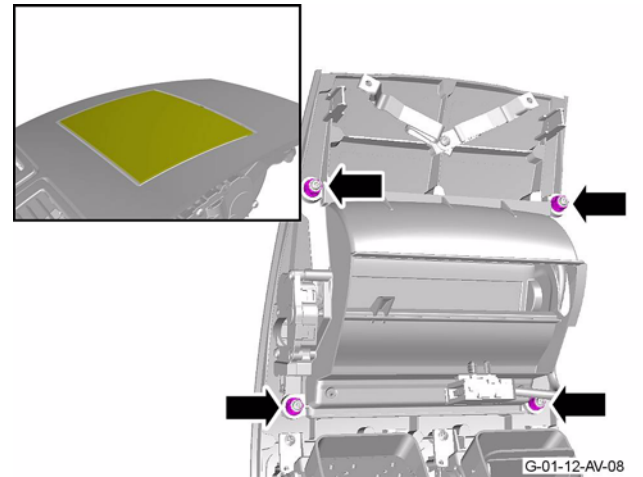
6. Connect the electrical connector to the navigation display screen.



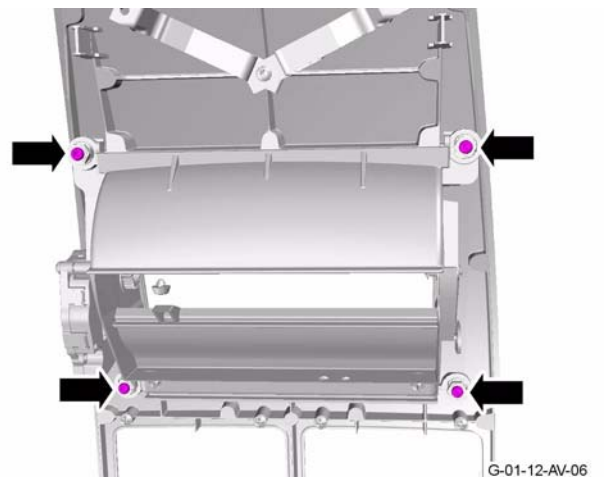
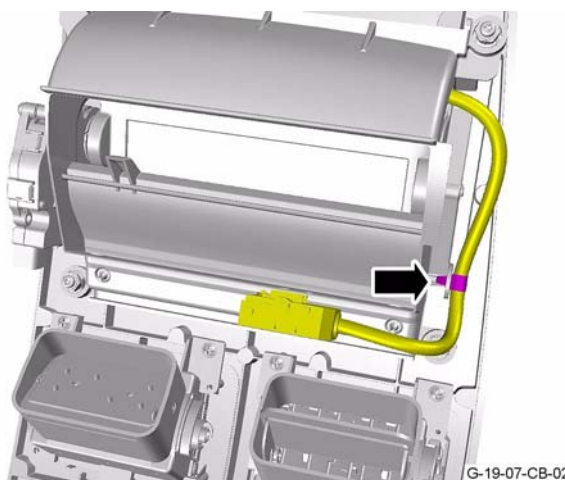
7. Install a new cable tie that attaches the wiring harness to the navigation display screen.
10. Install the electrical connector to the clip that attaches it to the mechanism for the navigation display screen.



8. Manually move the navigation display screen into the closed position.
11. Use the adjusters to make sure that the veneer bezel door is correctly aligned with the veneer bezel.



9. Install the wiring harness for the navigation display screen to the clip that attaches it to the mechanism for the navigation display screen.
12. Tighten the four screws that attach the mechanism for the navigation display screen to the veneer bezel.



13. Install the veneer bezel for the IP (Refer to Workshop Manual procedure 01.12.AV - Veneer Bezel for the Instrument Panel (IP)).